

STATIC BARS

4103 24 V DC IONIZING BAR

The 4103 introduces new standards in performance and size in a 24 V DC Static Eliminator. It offers market leading performance in a very compact Bar.

Static neutralization to meet the requirements of high performance machinery. Integrated high voltage power supply, requires only a low voltage 24 V DC input.

- > 7.5 kV of ionization power.
- > Compact size for compatibility with modern machinery.
- > Emitters made from tungsten for best long term performance; Resistively coupled for shockless operation.
- > LED status indication: Bar OK: (green), fault: (red). Clean Me: (alternating red/green)
- > Remote monitoring of operational status and cleanliness through 24 V signals.
- > Effective length = 20mm (0.78") less than overall length.
- > Standard M8 4 pin connector.
- > Best operational distance: 20mm (0.78") to over 150mm (5.90") .
- > Designed to cope with web speeds of 2000 ft/ min or more @ 1 inch from the target.
- > Protected against undervoltage, overload and reverse polarity wiring.
- > Cleanroom compatible to ISO4.
- > Options:
 - Airboost
 - Airknife Mounted



Specification

Electrical Supply:	Input: 24 V DC (21-27 V), max current 0.5 A. M8 x 4 Pin connector. M8 x 4 core cables & 100-250 volt universal AC/DC Power Supply sold separately. See below for details. .
Size and construction:	Profile 32.5mm (1.27") x 20mm (0.78") Minimum length 250mm (9.84") then in 40mm (1.57") steps to 4010mm (157.87"). FR-ABS Industrial grade extrusion, epoxy resin, tungsten. IP66. Fully sealed.
Weight:	9.84 inch bar = 0.61 lbs; then 1.12 lbs per additional 39 inches.
System Monitoring:	LED on endcap: green = all OK green/red flashing = needs cleaning red = fault Remote monitoring makes this information available with a 24 V signal from the Bar to a PLC or other destination. This voltage is taken from the Bar - no additional power source is required. Compatible with IEC 61131-2 `Type 3` PLC inputs. Signal protected against shorting and mis-wiring.
High Voltage Output:	Up to 7.5 kV supply integrated into Bar.
Environment:	14-131° F Maximum Humidity 70% non-condensing.
Standards:	CE &UL Certified. CB Pending.

Applications

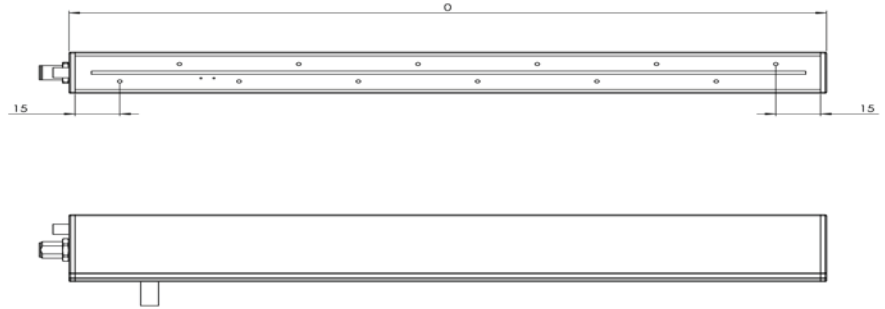
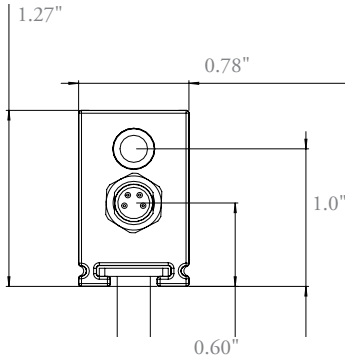
For modern machinery and production processes within the operation distance of 20mm (0.78") - 150mm (5.90").

Ideal as a more powerful alternative to conventional AC static eliminators.

No need for additional power supply. The 4103 comes with electronics and 7.5 kV fully integrated.

- Minimum length 250mm (9.84"), then in 40mm (1.57") steps to 4010mm (157.87").
- Operating distance from 20mm (0.78") to 150mm (5.90").

Dimensions

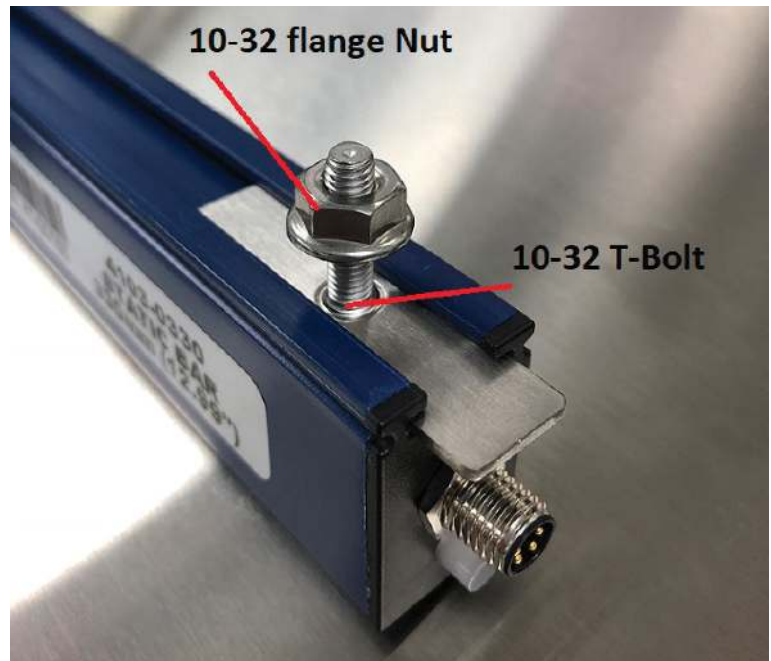


*Endcaps add 2mm at each end

Mounting

10-32 T-Bolt and 10-32 flange nut. Two T-Bolts for Bars up to 39", plus 1 extra for every additional 500mm (19.68").

Other stud lengths are available, please contact the manufacturer for options.



Accessories/Spares

Description	Part No.	Description	Part No.
3m cable M8 female, bare ends. Straight socket	4203-80892	3m cable M8 female, bare ends. 90° socket	4203-80933
5m cable M8 female, bare ends. Straight socket	4203-80930	5m cable M8 female, bare ends. 90° socket	4203-80934
7.5m cable M8 female, bare ends. Straight socket	4203-80931	7.5m cable M8 female, bare ends. 90° socket	4203-80935
10m cable M8 female, bare ends. Straight socket	4203-80932	10m cable M8 female, bare ends. 90° socket	4203-80936
Additional mounting set: (includes (1) 10-32 T-bolt & (1) 10-32 flange-nut)	4103-0061-3	External Universal Power Adapter w/ 1.2m (4ft) cable & M8 4-pin female connector	4203-31101

Cables must be ordered separately in addition to Bar. They have standard M8 4 pin female connectors.